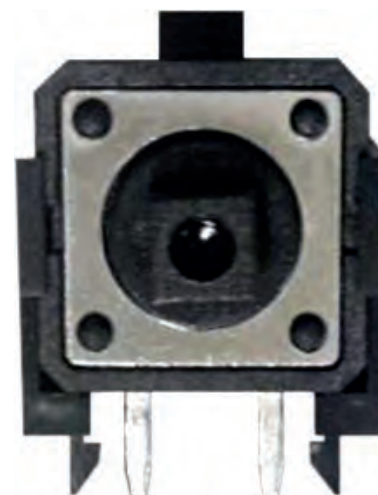


# PCB Switch

PCB 12 VDC 50 mA black

## SPECIFICATION:

Switching type	Momentary function
Switching type, ( )momentary	(on)-off
Rated current	50 mA
Rated voltage	12 VDC
Actuation force	1.57 N
Button colour	black
Poles	1
Termination type	PCB
Connection	THT
Colour	black/grey
Contact material	Brass
Temperature range	-20...+70 °C
Construction form	Tact switch
Length	8.5 mm
Width	12 mm
Contact Resistance	100 mOhm max.
Insulation Resistance	100 MOhm min.
Dielectric Strength	10 VAC (50/60 Hz) for 1 min.
Operation Life	100000 cycles
Operating Force	1.57 N



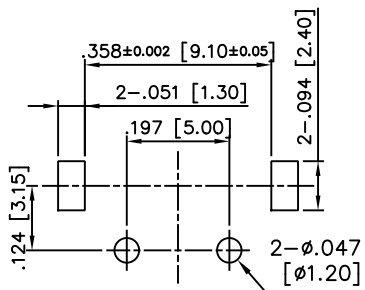
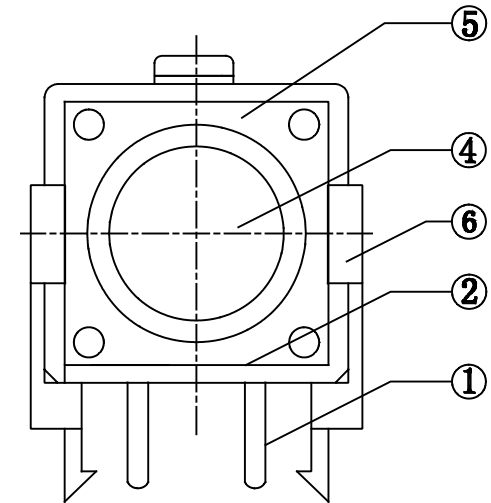
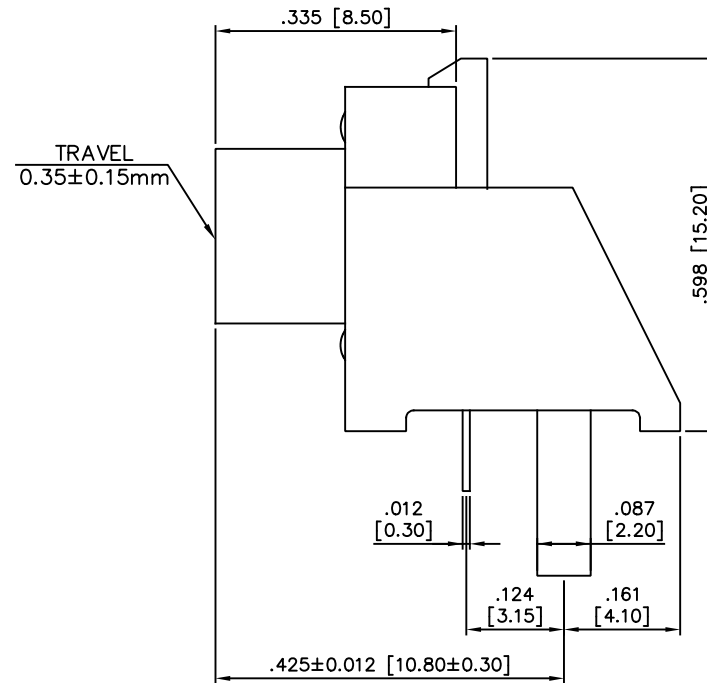
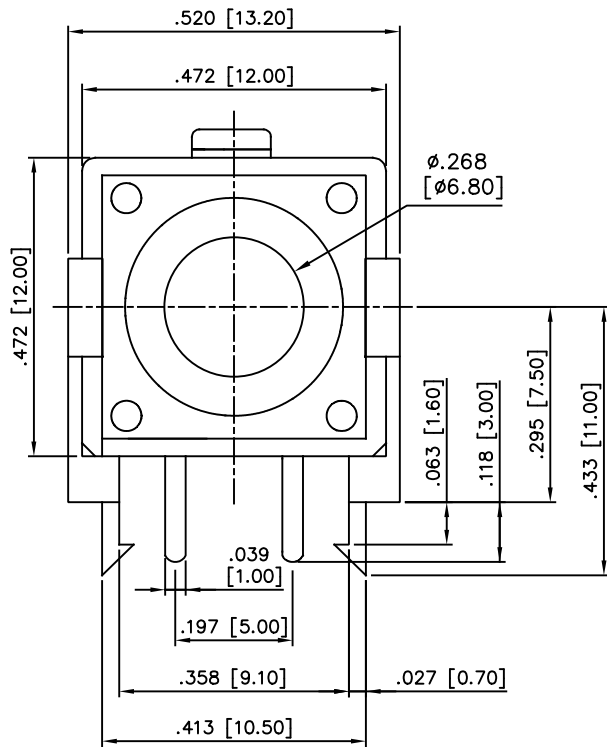
Note: For detailed drawing please see page 2 of data sheet

## Art Nr.

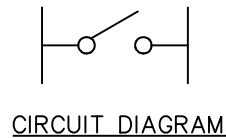
RND 210-00265

# PCB Switch

PCB 12 VDC 50 mA black



P.C.B LAYOUT



6	BRACKET	PA66	1	BLACK
5	COVER	STAINLESS STEEL	1	Sn PLATED
4	STEM	PA66	1	BLACK
3	CHIP	PHOSPHOR BRONZE	1	Ag PLATED(Single)
2	BASE	PA66	1	BLACK
1	TERMINAL	BRASS	2	Ag PLATED
NO.	PART NAME	MATERIAL	Q'TY	FINISHING